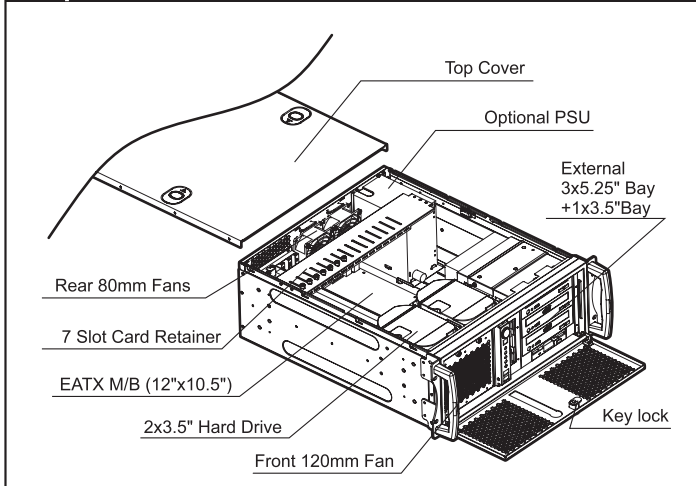
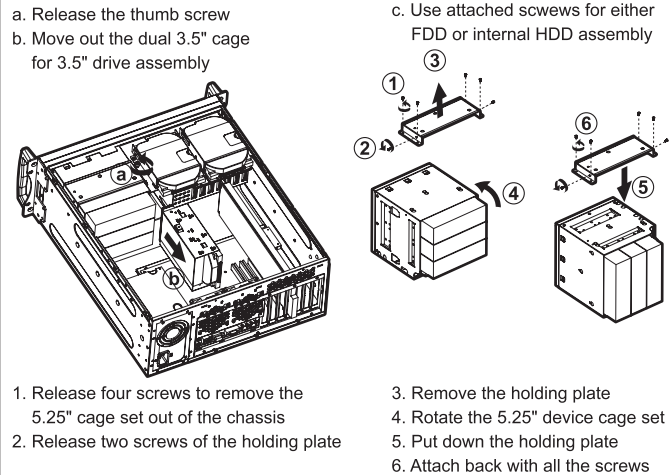


Chassis Quick Reference

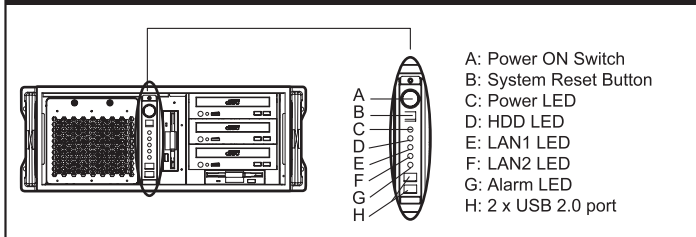
Major Components



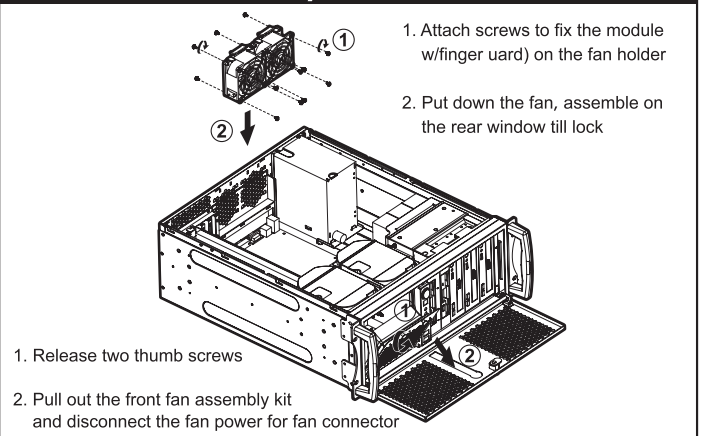
External 5.25" HDD Cage Assembly



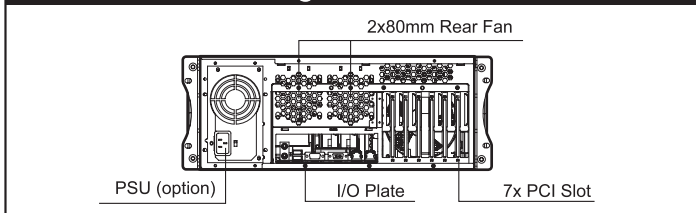
Front Panel Controls and Indicators



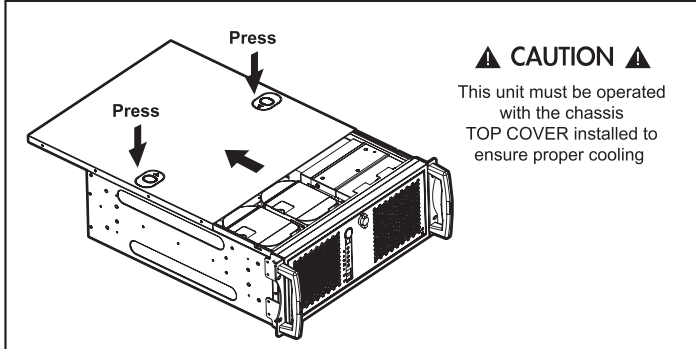
Fan Module Assembly



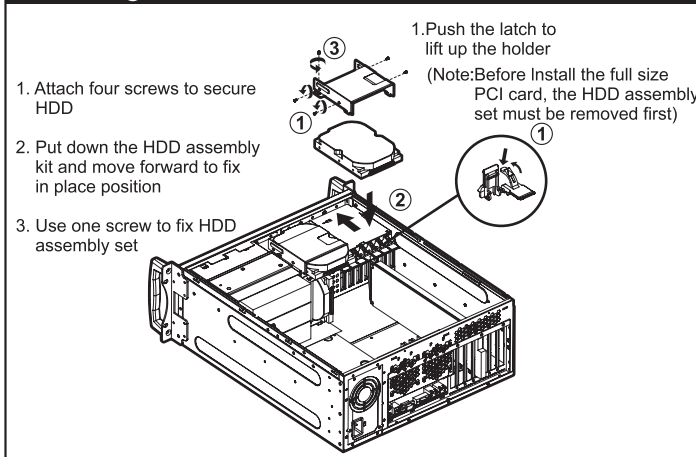
Rear Window Configuration



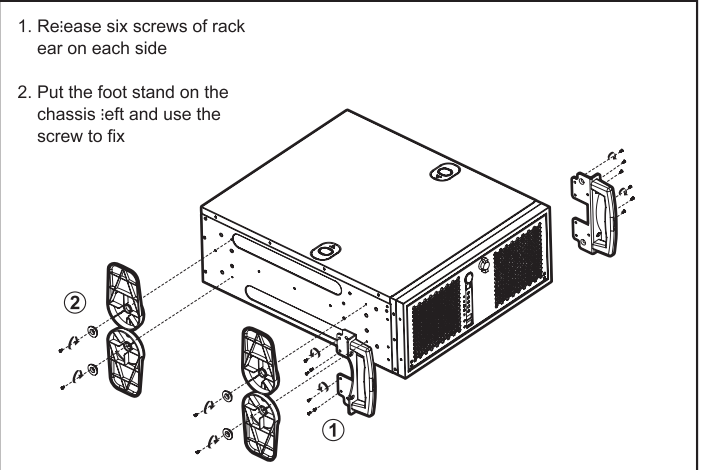
Top Cover Opening



Installing Hard Drive



Pedestal Foot-stand Installation



Pedestal Top handle Installation

